

# SINGLE PHASE FULLY-CONTROLLED / HALF-CONTROLLED BRIDGE RECTIFIER MODULE



(MFQ, MTF, MHF)

## Features

---

- Electrical insulation between the chip and the backplane with insulation voltage 2500VAC
- International standard package
- "Vacuum + hydrogenation protection" welding technology
- Low forward voltage drop
- Maximum operating junction temperature up to 150 °C
- Compact dimensions and low weight

## Product description

---

- $V_{RSM}=V_{RRM}+200V$
- In addition to  $V_{FM}$  and  $V_{ISO}$ , the other parameters in the table are the test values under  $T_{jm}$ .

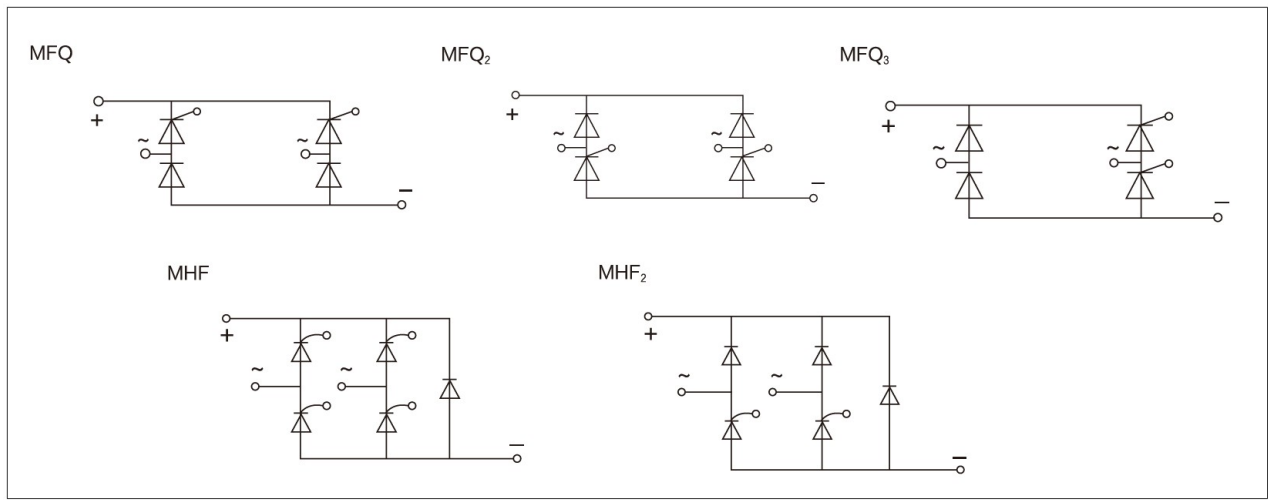
## Typical application

---

- DC power supply of the instruments and equipment
- Input rectification power supply of the PWM inverter
- Excitation power supply of the DC motor
- Input rectification system of switching power supply
- Soft start capacitor charging system
- Electrical drive and auxiliary current
- Inverter welder
- DC power charging system

## Module model and circuit diagram

---



## Product Specifications

Model	DC Output Current	Average Forward Input Current	Maximum Repetitive Peak Off-state and Reverse Voltage	Maximum Repetitive Peak Off-state and Reverse Current	Maximum Peak On-state Voltage and Current		Gate Trigger Current	Gate Trigger Voltage	Holding Current	Rate Of Rise Of Off-state Voltage	Rate Of Rise Of On-state Current	Maximum Junction Temperature	Isolation Voltage	Overall Dimensions
	$I_d$	$I_{F(AV)}$	$V_{DRM}, V_{RRM}$	$I_{DRM}, I_{RRM}$	$V_{TM}$	$I_{TM}$	$I_{GT}$	$V_{GT}$	$I_H$	$dv/dt$	$di/dt$	$T_{jm}$	$V_{isol}$	
	A	V	V	mA	V	mA	mA	V	mA	V/ $\mu$ s	A/ $\mu$ s	$^{\circ}$ C	V(AC)	
MTx 60	60	30	400-2600	8	1.45	90	100	2.5	100	800	50	125	2500	102A
MTx 90	90	45	400-2600	15	1.45	135	100	2.5	100	800	100	125	2500	102A
MTx 130	130	65	400-2600	25	1.45	195	150	2.5	100	800	100	125	2500	103A-1
MTx 150	150	75	400-2600	25	1.50	225	180	2.5	100	800	100	125	2500	103A-1
MTx 200	200	100	400-2600	30	1.50	300	180	2.5	100	800	100	125	2500	104A
MTx 300	300	150	400-2600	40	1.50	450	180	2.5	100	800	100	125	2500	104A
MTx 450	450	225	400-2600	40	1.50	675	200	3.0	100	800	100	125	2500	105A

Note: The MTx in the model column indicates any one series of MFQ, MHF, and MTF.

The domestic models corresponding to the imported models SKKT, IR, PD, 2RI, 100L, etc., are subject to the circuit diagram.