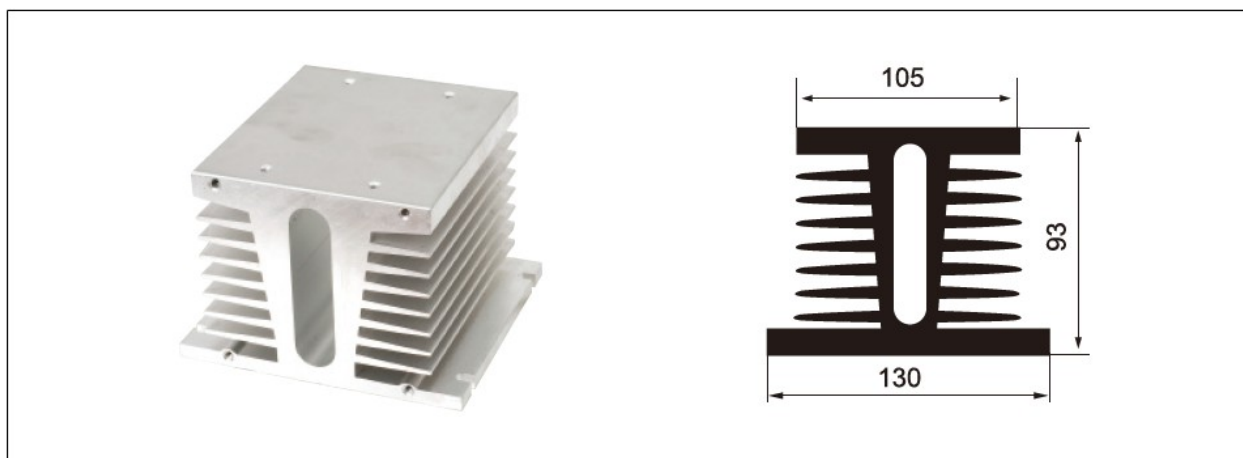


SOLID STATE HEAT SINK

MG-F Series heat sink

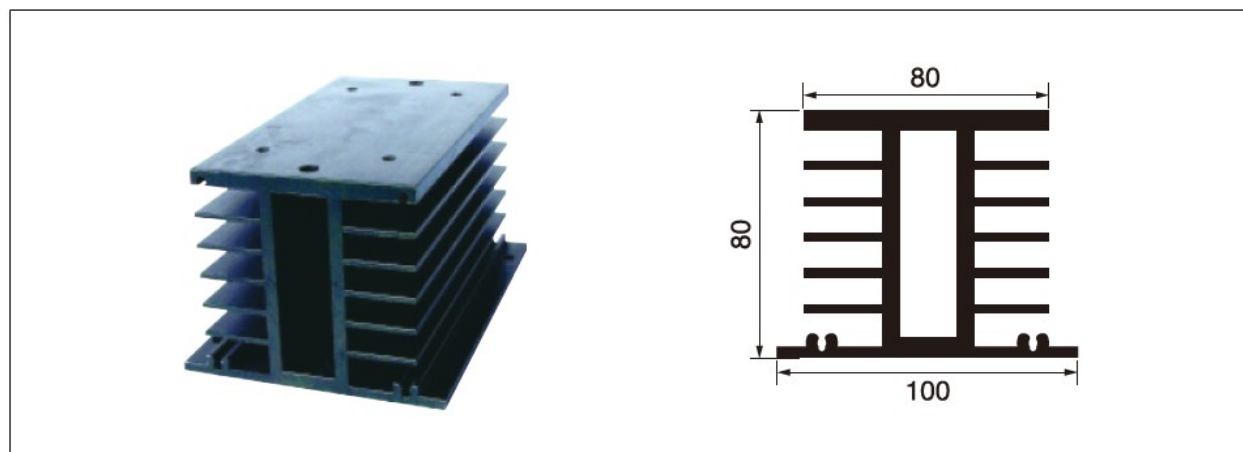
- Model: F-150
- Length×Width×Height: 120×105×93
- Application: 1.Suitable for three phase solid state relays, and the actual load current (sum of three phases) is not more than 120A 2.Suitable for rectangular solid state relays or long strip industrial solid state relays, and the actual load current is not more than 120A



After installing the fan, the length of the heat sink needs to be increased by 32mm. The actual load current should be calculated after installing a cooling fan (thickness 32mm*length 92mm*width 92mm) at one end of the MG-F series heat sink.

MG-H Series heat sink

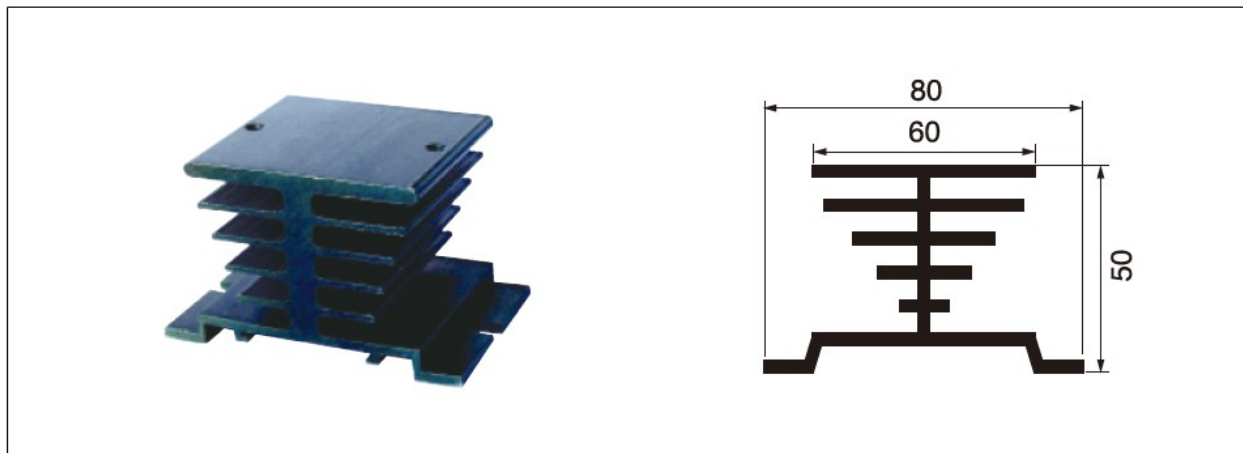
- Model: H-150
- Length×Width×Height: 150×80×80
- Application: 1.Suitable for three phase solid state relays, and the actual load current (sum of three phases) is not more than 75A 2.Suitable for rectangular solid state relays or long strip industrial solid state relays, and the actual load current is not more than 35A



After installing the fan, the length of the heat sink needs to be increased by 32mm. The actual load current should be calculated after installing a cooling fan (thickness 32mm*length 92mm*width 92mm) at one end of the MG-H series heat sink.

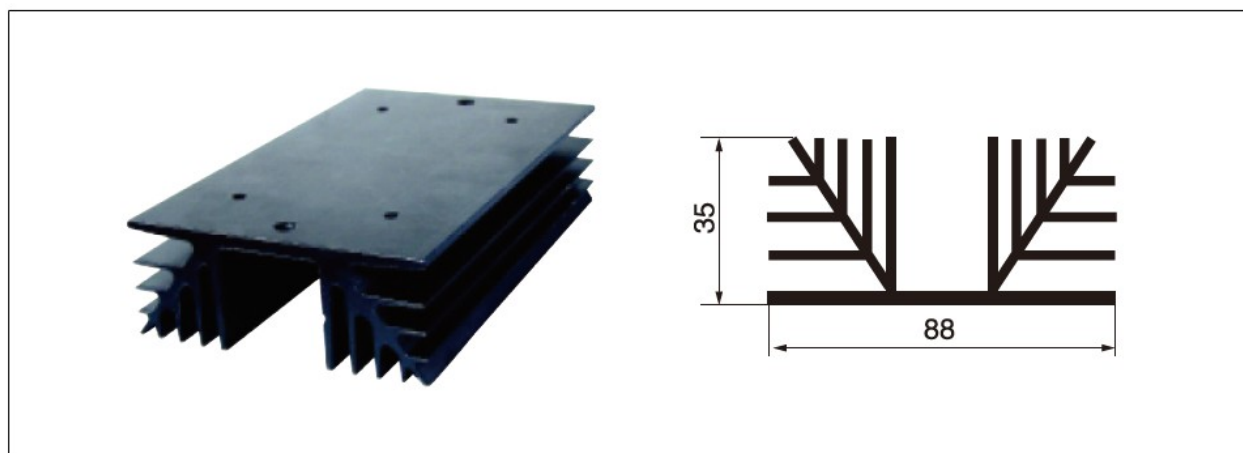
MG-I Series heat sink

- Model: I-50
- Length×Width×Height: 50×60×50
- Application: Suitable for the rectangular single phase solid state relay with the actual load current no greater than 15A



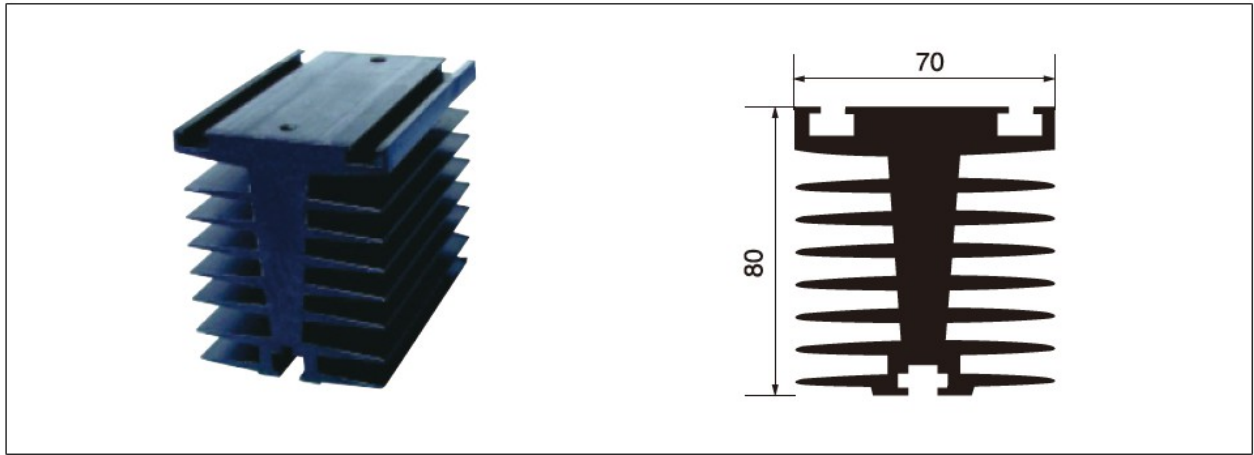
MG-L Series heat sink

- Model: L-150
- Length×Width×Height: 150×88×35
- Application: 1.Suitable for three phase solid state relays, and the actual load current (sum of three phases) is not more than 20A 2.Suitable for rectangular single phase solid state relays, and the actual load current is not more than 26A



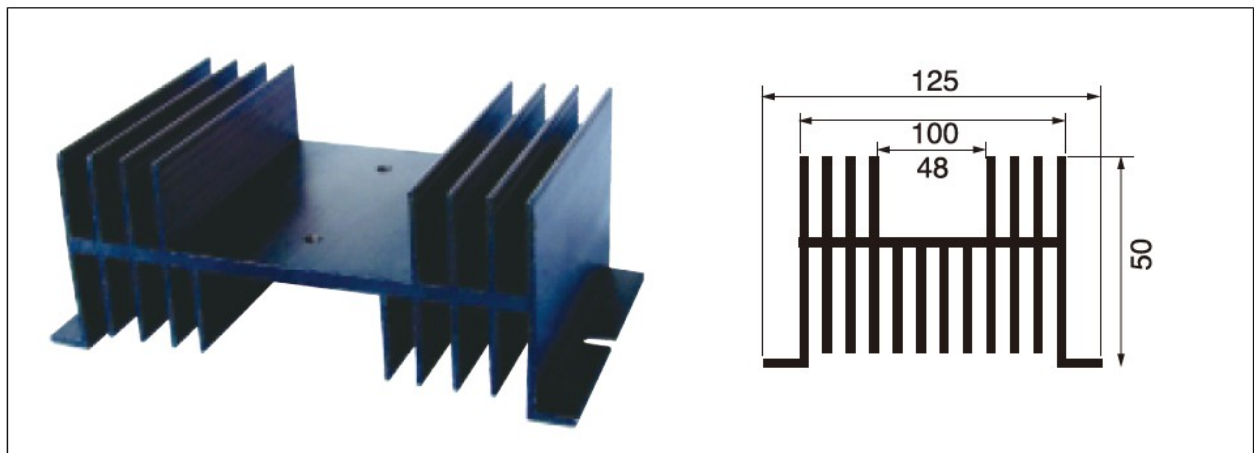
MG-T Series heat sink

- Model: T-80
- Length×Width×Height: 80×70×80
- Application: Suitable for rectangular single phase solid state relays or long strip industrial solid state relays, and the actual load current is not greater than 26A
- Model: T-110
- Length×Width×Height: 110×70×80
- Application: Suitable for rectangular single phase solid state relays or long strip industrial solid state relays, and the actual load current is not greater than 26A

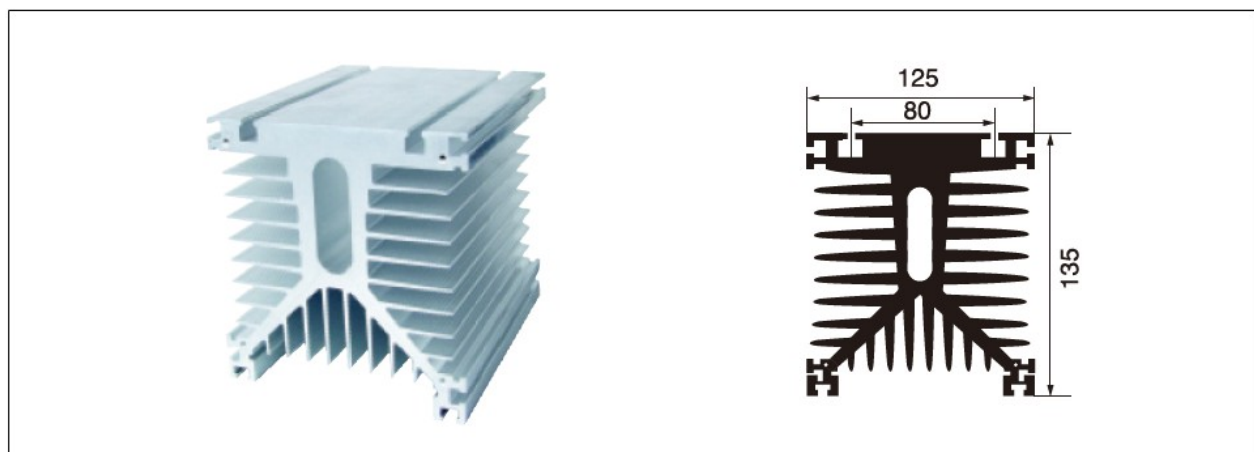


MG-W Series heat sink

- Model: W-70
- Length×Width×Height: 70×125×50
- Application: Suitable for the rectangular single phase solid state relay with the actual load current no greater than 20A
- Model: W-100
- Length×Width×Height: 100×125×50
- Application: Suitable for the rectangular single phase solid state relay with the actual load current no greater than 26A



MG-Y Series heat sink



After installing the fan, the length of the heat sink needs to be increased by 45mm. The actual load current should be calculated after

installing a cooling fan (thickness 45mm*length 120mm*width 120mm) at one end of the MG-Y series heat sink.